



# NORTH BIHAR POWER DISTRIBUTION CO. LTD.

**[Office of Chief Engineer, Project-II]  
(Regd. Office: Vidvut Bhawan, Bailey Road, Patna)**

CIN No: U40109BR2012SGC018920

Letter No: 372  
[File No: NB/P-II/RDSS/Purnea/Cabcon/100/2023]

Contact No: +91-9264437179

Dated: 08/08/23

E-mail: [cerdssnbpdc12@gmail.com](mailto:cerdssnbpdc12@gmail.com)

From, **Pranav Kumar,**  
Chief Engineer (Projects-II)

To, **M/S CABCON India Limited**  
1st Floor, The Terminus Building, BG-12, Action Area -1B,  
New Town, Kolkata-700156 Telephone/Fax numbers: 033 4036 5000  
Email: [project@cabconindia.com](mailto:project@cabconindia.com)

Sub: - Approval of GTP & Drawings of 11 KV 5 KN Compositor Pin Insulators, 11 KV 45 KN Composite Disc Insulators and LT & HT Guy Insulators of M/s Sun Kouture LLP, Khurja against NIT No: 33/PR/NBPDCL/2022 for Purnea Circle.

- Ref: 1. NIT No: 33/PR/NBPDCL/2022.  
2. This Office NOA No: NB/P-II/RDSS/Tender/25/2022-19 & 20 dated 06.03.2023.  
3. Your Letter No: CIL/NBPDCL/RDSS/Purnea/23-24/154 dated 04.08.2023.

Dear Sir,

With reference to subject noted above, please find attached herewith the GTP & Drawing of following 11 KV 5 KN Compositor Pin Insulators, 11 KV 45 KN Composite Disc Insulators and LT & HT Guy Insulators of M/s Sun Kouture LLP, Khurja for Development of Distribution Infrastructure against NIT No: 33/PR/NBPDCL/2022 for Purnea Circle under RDSS Scheme. The materials list is as follows:

Sl. No	Name of Items	Name of Vendor
1	11 KV 5 KN Compositor Pin Insulators, 11 KV 45 KN Composite Disc Insulators, LT Guy Insulators (90x65 mm) and HT Guy Insulators (140x85 mm)	M/s Sun Kouture LLP, Khurja

The Correction wherever required in GTP & Drawings submitted by the contractor has been done. However, these Drawings shall be subject to correctness as per technical specifications of the tender document and the entire responsibility of the correctness of the Drawing as per the specifications as well as supply of material according to the technical specifications of the contract agreement shall be that of the contractor .

In case of any conflict or contradiction between GTP/Drawing & Technical Specification, the decision of Chief Engineer (Project-II) shall be final and binding on both the parties. Contractor shall have to replace the material to the entire satisfaction of the owner in case the material is found unsuitable for use in the project at any stage.

Please carry out the works immediately under conditions stated above.

Encl: As above.

Yours faithfully,

*Pranav Kumar*  
08.8.2023

(Pranav Kumar)

Chief Engineer (Project-II)

Memo No. 372

Patna, dated 08/08/23

Copy forwarded to M/s NCC Limited, Hyderabad/M/s Vindhya Telelinks Limited, New Delhi/M/s Polycab limited, Mumbai/M/s Ashoka Buildcon Limited, Nashik/M/s Vaishno Associates Vidut Projects LLP, Jaipur/M/s M/s JSP Projects Private Limited, Ghaziabad/M/s Techno Power Enterprises Private Limited, Kolkata for information.

*Pranav Kumar*  
08.8.2023

(Pranav Kumar)

Chief Engineer (Project-II)

Memo No. 372

Patna, dated 08/08/23

Copy forwarded to Director (Projects)/OSD to MD, NBPDCCL for kind information.

*Pranav Kumar*  
08.8.2023

(Pranav Kumar)

Chief Engineer (Project-II)

1478

GSTIN-09AEPFS7083E1ZG

Mob: 9871644666

E-mail: sunkouturellp@gmail.com

# SUN KOUTURE LLP

Khasra No. 1300 MI Behind Shiv Pottery Near, BSNL SDO office, G.T. Road, Nehrupur  
Khurja-203131 Bulandshahr (U.P) India

## GUARANTEED TECHNICAL PARTICULARS

Sl. No.	Technical Particulars	L.T. Guy Strain Insulator Size : 90 X 65 mm ✓
1.	Name & Type	LT Guy Strain Insulator Fig. 1 ✓
2.	Governing Standard	IS : 5300 / 1969 ✓
3.	Dry 1 Min. Power Frequency Withstand Voltage	18 kV ✓
4.	Wet 1 Min. Power Frequency Withstand Voltage	8 kV ✓
5.	Dry 1 Min. Power Frequency Flashover Voltage	25 kV
6.	Wet 1 Min. Power Frequency Flashover Voltage	10 kV
7.	Minimum Failing Load	44 KN ✓
8.	Power Frequency Puncture Withstand Voltage	NA
9.	Dimensions	
(i)	Length	90 mm ✓
(ii)	Width (dia)	65 mm ✓
(iii)	Cable Hole Dia	16 mm ✓
10.	Creepage Distance	41 mm
11.	Weight of Insulator (Approx.)	400 Gms. Approx.
12.	Tolerance	As per ISS
13.	Glaze Colour	Brown

**APPROVED**  
 Subject to the condition that  
 you are not absolved of the  
 responsibility of  
 correctness of materials  
*Kumar*

*Chief Engineer (Project-II)  
 NADOL*

**CHECKED**

AEE(P-II) ECE(P-II) ESE(P-II)



Marking :-

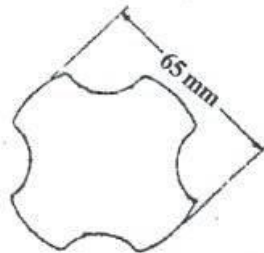
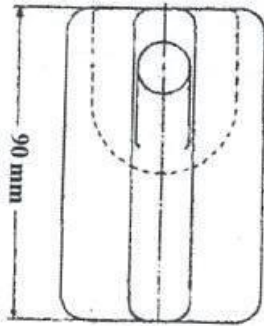
- Marking on porcelain shall be applied before firing
- Name or Trade Mark of the Manufacturer
  - Year of Manufacturer
  - ISI certification Mark, if any

MANUFACTURERS & EXPORTERS OF -

H.T. & L.T. INSULATORS, PIN, POST, DISC & TRANSFORMER BUSHINGS UP TO 33 KV



**GUY STRAIN INSULATOR**



**PARTICULARS**

Specification	IS-5300/1969	✓
Tolerance	As per IS	✓
Size	90x65 mm.	✓
Mechanical Failing Load	44 KN	✓
Glaze	Brown	✓
Power Frequency Withstand Voltage Wet	8 KV	
Power Frequency Withstand Voltage Dry	18 KV	
Power Frequency Flashover Voltage Wet	10 KV	
Power Frequency Flashover Voltage Dry	25 KV	

**APPROVED**

Subject to the condition that you are not absolved of responsibility of Correctness of materials.

*Pranav Kumar*

Chief Engineer (Project-II)  
NBPDC



**CHECKED**

AEE(P-II) EEE(P-II) ESE(P-II)

**SUN KOUTURE LLP**  
 Khasra No. 1300 MI Behind Shiv Pottery Near, BSNL SDO  
 office, G.T. Road, Khurja-203131 (U.P) India

**TITLE : Guy Strain Insulator**

DRG. NO. SKLLP/G/90X65  
 Scale : Not to Scale.  
 Approved by :  
 E-mail: sunkouturellp@gmail.com  
 Mob: 9871644666







Project No. 108  
Drawing No. 108



**CHECKED**

AEE(P-II) EEE(P-II) ESE(P-II)

**PARTICULARS**

Specification	IS-5300/1969	✓
Tolerance	As per IS	✓
Size	140x85 mm.	✓
Mechanical Failing Load	88 KN	✓
Glaze	Brown	✓
Power Frequency Withstand Voltage Wet	13 KV	✓
Power Frequency Flashover Voltage Wet	20 KV	
Power Frequency Flashover Voltage Dry	32 KV	

**APPROVED**  
 Subject to the condition that  
 you are not absolved of the  
 responsibility of  
 correctness of materials

Chief Engineer (Project-4)  
 NBPDC

**SUN KOUTURE LLP**

Khasra No. 1300 MH Behind Shiv Pottery Near, BSNL  
 SDO office, G.T. Road, Khurja-203131 (U.P) India

**TITLE : Guy Strain Insulator**

DRG. NO. SKLLP/G/140X85      Scale : Not to Scale  
 Approved by:

E-mail: sunkouturellp@gmail.com  
 Mob: 9871644666



GSTIN-09AEPFS7083E1ZG

Mob: 9871644666

E mail: sunkouturellp@gmail.com

## SUN KOUTURE LLP

Khasra No. 1300 MI Behind Shiv Pottery Near, BSNL SDO office,  
G.T. Road, Khurja-203131 (U.P) India

### Guaranteed Technical Particulars For 11KV Composite Polymer Pin Insulator

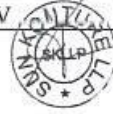
1	Name of the Manufacturer	SUN KOUTURE LLP
2	Type of Insulator	11KV Composite Polymer Pin Insulator
3	Standard	IEC-61109 with up to date amendments ✓
4	Name of material used	Silicon Rubber ✓
5	Material of core(FRP rod)	ECR glass boron content free ✓
6	Material of housing and weathersheds silicon content by weight	>30 %
7	Material of End Fitting	Hot dip galvanized SGI ✓
8	Sealing Compound for end fittings	RTV Silicon Sealant ✓
9	Colour	Grey/Light Grey ✓
10	Normal system voltage	11KV ✓
11	Highest system voltage	12KV ✓
12	Dry power frequency withstand voltage	50KV 70 KV ✓
13	Wet Power frequency withstand voltage	45KV ✓
14	Dry power flashover withstand voltage	55KV 75 KV ✓
15	Wet power flashover withstand voltage	50KV ✓
16	Dry lightning impulse withstand voltage positive	110KV ✓
17	Dry lightning impulse withstand voltage negative	110KV ✓
18	Dry lightning impulse flashover voltage positive	120KV ✓
19	Dry lightning impulse flashover voltage negative	130KV ✓
20	RIV at 1 Mhz when energized at 10K/30KV(rms)under dry condition	<100 Micro Volts ✓
21	Creepage Distance	320MM ✓
22	Minimum failing load	5KN ✓
23	Weight	0.9 Kgs. Approx. ✓
24	Dia of FRP Rod	24MM ✓
25	Dia of Weathershed	101MM ✓
26	Length of FRP Rod	207MM ✓
27	Thickness of housing from center of the shed	3MM ✓
28	Dry arc distance	175MM ✓



**APPROVED**  
Subject to the condition that  
you are not absolved of the  
responsibility of  
Correctness of materials

*Praveen Kumar*  
Chief Engineer (Project!!)  
NBPDC

29	Dimensioned drawing of insulator including weight with tolerances in weight is enclosed	Yes ✓
30	Method of fixing of sheds to housing	Injection Moulding ✓
31	No of Weather Sheds	3 Nos ✓
32	Type of shed Aerodynamic	Aerodynamic ✓
33	With under ribs	-----
34	Type of packing	Double HDPE Bags ✓
35	No of insulator in each pack	25 Nos ✓
36	Gross Weight of package	24 Kgs. Approx. ✓
37	Any other particulars which the bidder may like to give	----
38	Tolerance	IEC-61109 with up to date amendments ✓
39	Visible Discharge	9KV ✓



Marking Details :-

- Name & TradeMark of the manufacturer
- Voltage & Type :- 11KV, 45KN
- Month and Year of Manufacturing
- Min failing load / Mechanical Strength in KN
- RDSG-LR (NBPDCCL)

**CHECKED**

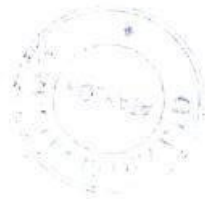
AEE(P-II) EEE(P-II) ESE(P-II)

Note :- All other specifications will be as per NIT.



**APPROVED**  
Subject to the condition that  
you are not absolved of  
responsibility of  
Correctness of materials

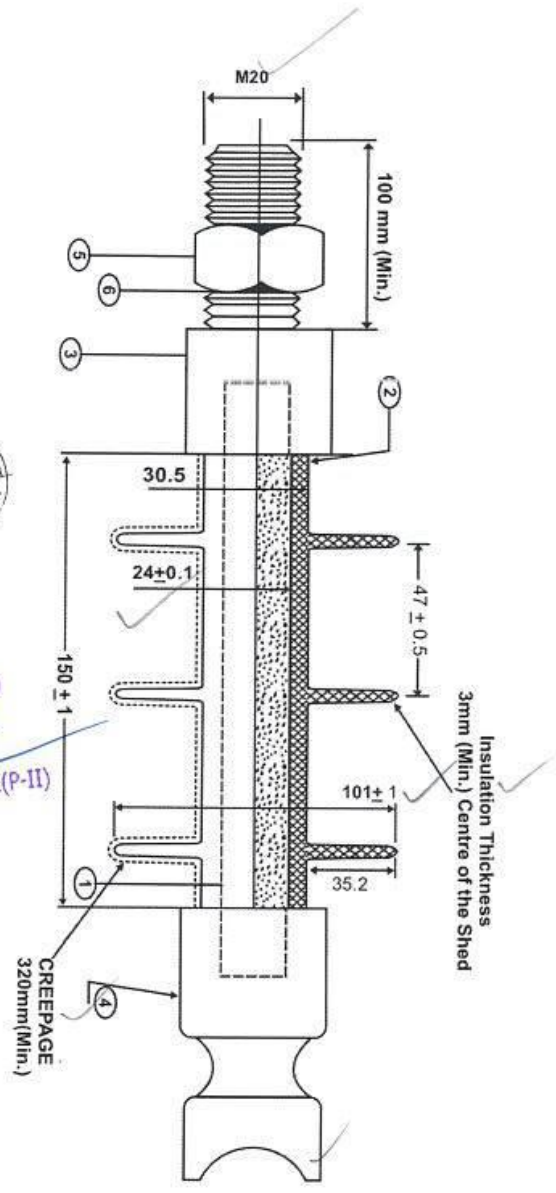
*Pranav Kumar*  
Chief Engineer (Project-II)  
NBPDCCL





475

**DRAWING NO. 6 B**



**CHECKED**  
 AEE(P-II) EEE(P-II) ESE(P-II)

**APPROVED**  
 Subject to the condition that  
 you are not absolved of the  
 responsibility of  
 Correctness of materials

*[Signature]*  
 Chief Engineer (Project-II)  
 NBPDCL



**TECHNICAL PARTICULARS**

- (I) MECHANICAL CHARACTERISTICS  
 1. MINIMUM FALLING STRENGTH - 05KN
- (II) ELECTRICAL CHARACTERISTICS  
 1. WET ONE MINUTE POWER FREQUENCY WITHSTAND VOLTAGE = 45Kv (rms)  
 2. DRY LIGHTING IMPULSE WITHSTAND VOLTAGE - 110 Kv (+VE)  
 3. ARCING DISTANCE = 175 MM (Min.)  
 4. CREEPAGE DISTANCE = 320 MM (Min.)  
 5. DRY ONE MINUTE POWER FREQUENCY WITHSTAND VOLTAGE = 50 Kv (rms)  
 6. HIGHEST SYSTEM VOLTAGE 12 Kv(rms)  
 7. THICKNESS OF HOUSING = 3mm (Min.) Centre of the Shed  
 8 MARKING - SKLLP-India

NOTE : ALL DIMENSIONS ARE IN MM

S.NO.	DESCRIPTION	MATERIAL
1	FRP ROD	FIBER REINFORCED PLASTIC
2	PIN FITTING	S.G. IRON
3	TOP ASSEMBLY	S.G. IRON
4	NUT	
5	WASHER	

DRAWN BY \_\_\_\_\_  
 CHECKD BY \_\_\_\_\_  
 APPD BY \_\_\_\_\_  
 SCALE : NTS      DRAWING SIZE : A4  
 DATE \_\_\_\_\_  
 DRAWING NO. : SKLLP/PIN/24MM      GENERAL TOLERANCE : 10%



**SUN KOUTURE LLP**  
 Khasra No. 1300 VII Behind Shiv Pottery Near, BSNTL SDO  
 office, G.T. Road, Kharurja-203131 (U.P.) India  
 TITLE : 11KV COMPOSITE POLYMERIC  
 PIN INSULATOR

GSTIN-09AEPFS7083E1ZG

Mob: 9871644666

E-mail: sunkouturellp@gmail.com

# SUN KOUTURE LLP

Khasra No. 1300 MI Behind Shiv Pottery Near, BSNL SDO office,

G.T. Road, Khurja-203131 (U.P) India

## Guaranteed Technical Particulars

### For 11KV 45 KN Composite Polymer Disc Insulator T&C Type

1	Name of the Manufacturer	SUN KOUTURE LLP
2	Type of Insulator	11KV Composite Polymer Disc Insulator 45KN T&C Type
3	Standard	IEC-61109 with up to date amendments
4	Name of material used	Silicon Rubber
5	Material of core(FRP rod)	ECR glass boron content free
6	Material of housing and weathersheds silicon content by weight	>30 %
7	Material of End Fitting	Hot dip galvanized SGI
8	Sealing Compound for end fittings	RTV Silicon Sealant
9	Colour	Grey/Light Grey
10	Normal system voltage	11KV
11	Highest system voltage	12KV
12	Dry power frequency withstand voltage	50KV / 60 KV
13	Wet Power frequency withstand voltage	45KV
14	Dry power flashover withstand voltage	55KV / 75 KV
15	Wet power flashover withstand voltage	50KV
16	Dry lightning impulse withstand voltage positive	110KV
17	Dry lightning impulse withstand voltage negative	110KV
18	Dry lightning impulse flashover voltage positive	120KV
19	Dry lightning impulse flashover voltage negative	130KV
20	RIV at 1 Mhz when energized at 10K/30KV(rms)under dry condition	<100 Micro Volts
21	Creepage Distance	320MM
22	Minimum failing load	45KN
23	Weight	600Gms. Approx.
24	Dia of FRP Rod	16MM
25	Dia of Weathershed	90MM
26	Length of FRP Rod	212MM
27	Thickness of housing from center of the shed	3MM
28	Dry arc distance	175MM

**CHECKED**



AEE(P-II) EEE(P-II) ESE(P-II)



**APPROVED**

Subject to the condition that you are not absolved of any responsibility of correctness of material's

Chief Engineer (Project-1)  
NBPDC

29	Dimensioned drawing of insulator including weight with tolerances in weight is enclosed	Yes ✓
30	Method of fixing of sheds to housing	Injection Moulding
31	No of Weather Sheds	3 Nos
32	Type of shed Aerodynamic	Aerodynamic
33	With under ribs	-----
34	Type of packing	Double HDPE Bags
35	No of insulator in each pack	25 Nos ✓
36	Gross Weight of package	15Kgs. Approx.
37	Any other particulars which the bidder may like to give	----
38	Tolerance	IEC-61109 with up to date amendments
39	Visible Discharge	9KV

**CHECKED**

AEE(P-II) EEE(P-II) ESE(P-II)



Marking :-

- Name of Manufacturer
- Voltage & Type : 11KV, 45KN
- Minimum failing load / Guaranteed Mechanical strength
- RDSS-LR (NBPDCCL)

Note :- All other specifications will be as per NIT.



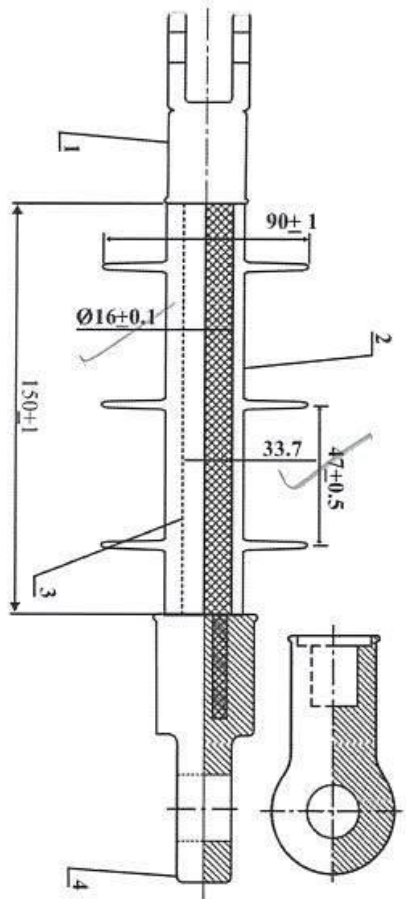
**APPROVED**  
 Subject to the condition that  
 you are not absolved of the  
 responsibility of  
 Correctness of materials

*Ramesh Kumar*  
 Chief Engineer (Project-II)  
 NBPDCCL



471

**DRAWING NO. 1 B**



**APPROVED**  
 Subject to the condition that you are not absolved of the responsibility of Correctness of materials  
*Pranav Kumar*  
 Chief Engineer (Project-II)  
 NBPDC



**TECHNICAL PARTICULARS**

- (I) MECHANICAL CHARACTERISTICS  
 1. MINIMUM FALLING STRENGTH - 45 KN
- (II) ELECTRICAL CHARACTERISTICS  
 1. WET ONE MINUTE POWER FREQUENCY WITHSTAND VOLTAGE = 45 Kv (rms)  
 2. DRY LIGHTING IMPULSE WITHSTAND VOLTAGE - 110 Kv (+VE)  
 3. ARcing DISTANCE = 175 MM (Min.)  
 4. CREEPAGE DISTANCE = 32C MM (Min.)  
 5. DRY ONE MINUTE POWER FREQUENCY WITHSTAND VOLTAGE = 50 Kv (rms)  
 6. HIGHEST SYSTEM VOLTAGE 12 Kv (rms)  
 7. VISIBLE DISCHARGE TEST VOLTAGE = 9 Kv (rms)  
 8. STANDARD - IEC - 61109  
 9. MARKING - SKLLP-India



**CHECKED**  
*EEE(P-II) ESE(P-II)*

Note :- All Dimension's are in mm

S.NO.	DESCRIPTION	MATERIAL	QTY.
4	TONGUE FITTING	S.G. IRON	1
3	FRP ROD	FIBER REFORCED PL. STC	1
2	HOUSING	POLYMER SILICON	1
1	CLEVIS FITTING	S.G. IRON	1

**SUN KOUTURE LLP**  
 Khasra No. 1300 MI Behind Shiv Pottery Near, BSNL  
 SDO office, G.T. Road, Khurja-203131 (U.P) India

**Title :-** 11 KV COMPOSITE  
 POLYMERIC DISC INSULATOR 45 KN  
 (T & C TYPE)

SCALE: H-S  
 EDITION NO.: 01

DRG. NO  
 SKLLP/45-QU/T&C/DISC